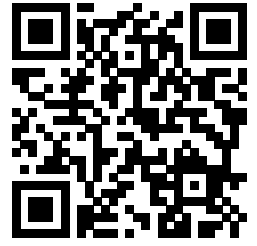


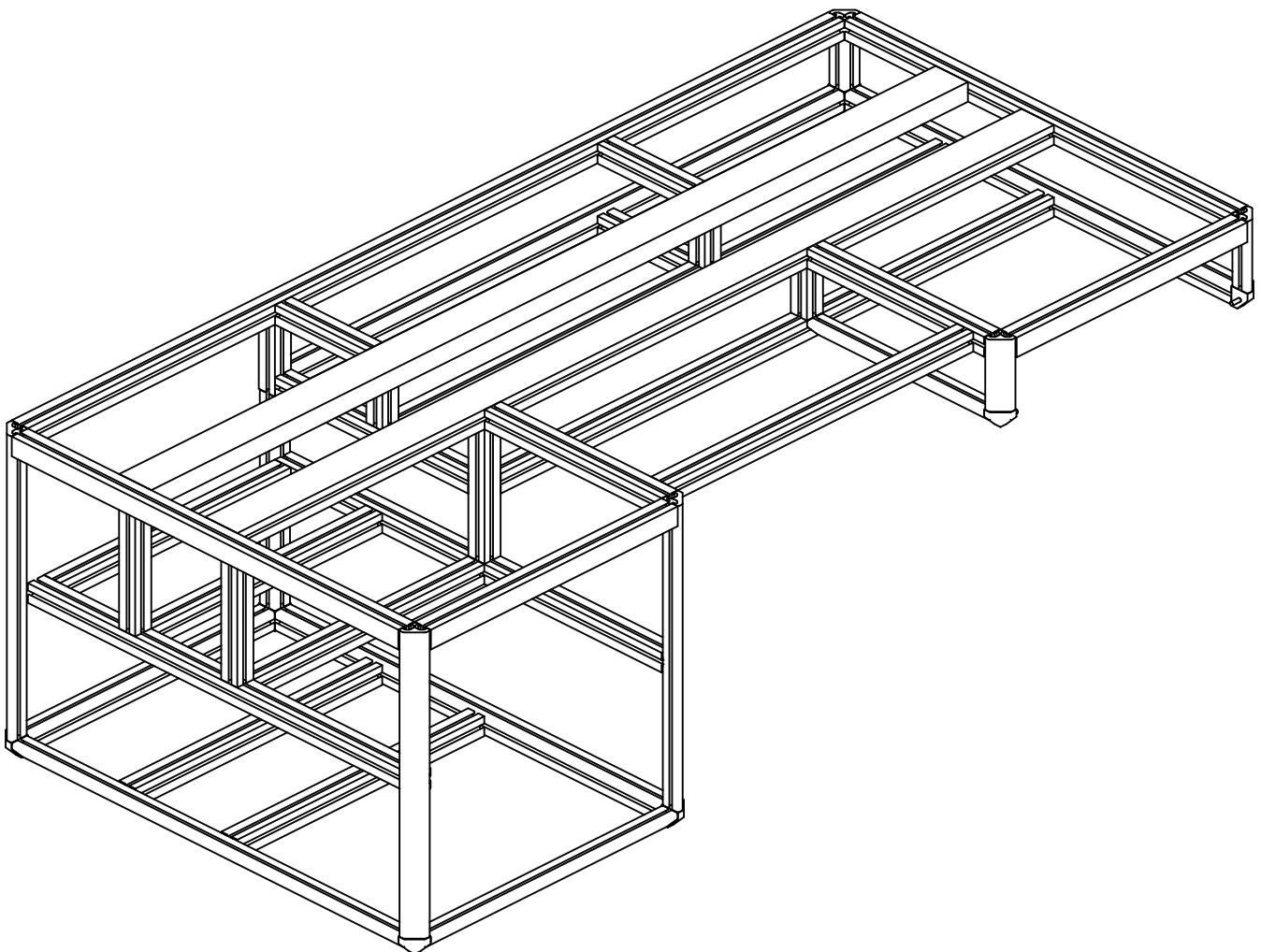
Project overview

Project name: Desk-PC

Project number: 1aa62ad03997ec4c376c0263b1723e8d6

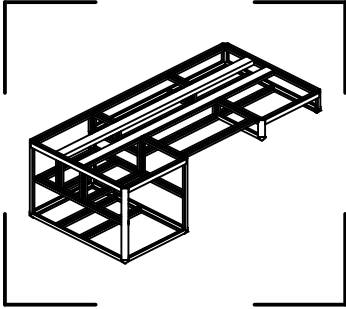


i24.ws?1aa62ad03997ec4c376c0263b1723e8d6



Assembly overview

Project overview	1
Assembly overview	2
Parts list	3



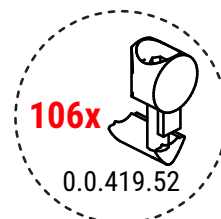
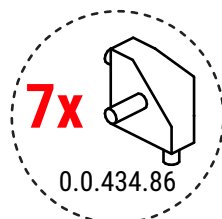
Assembly 1

Isometric view	4
Multiview projection	5
Exploded view	6
Installation guide	8

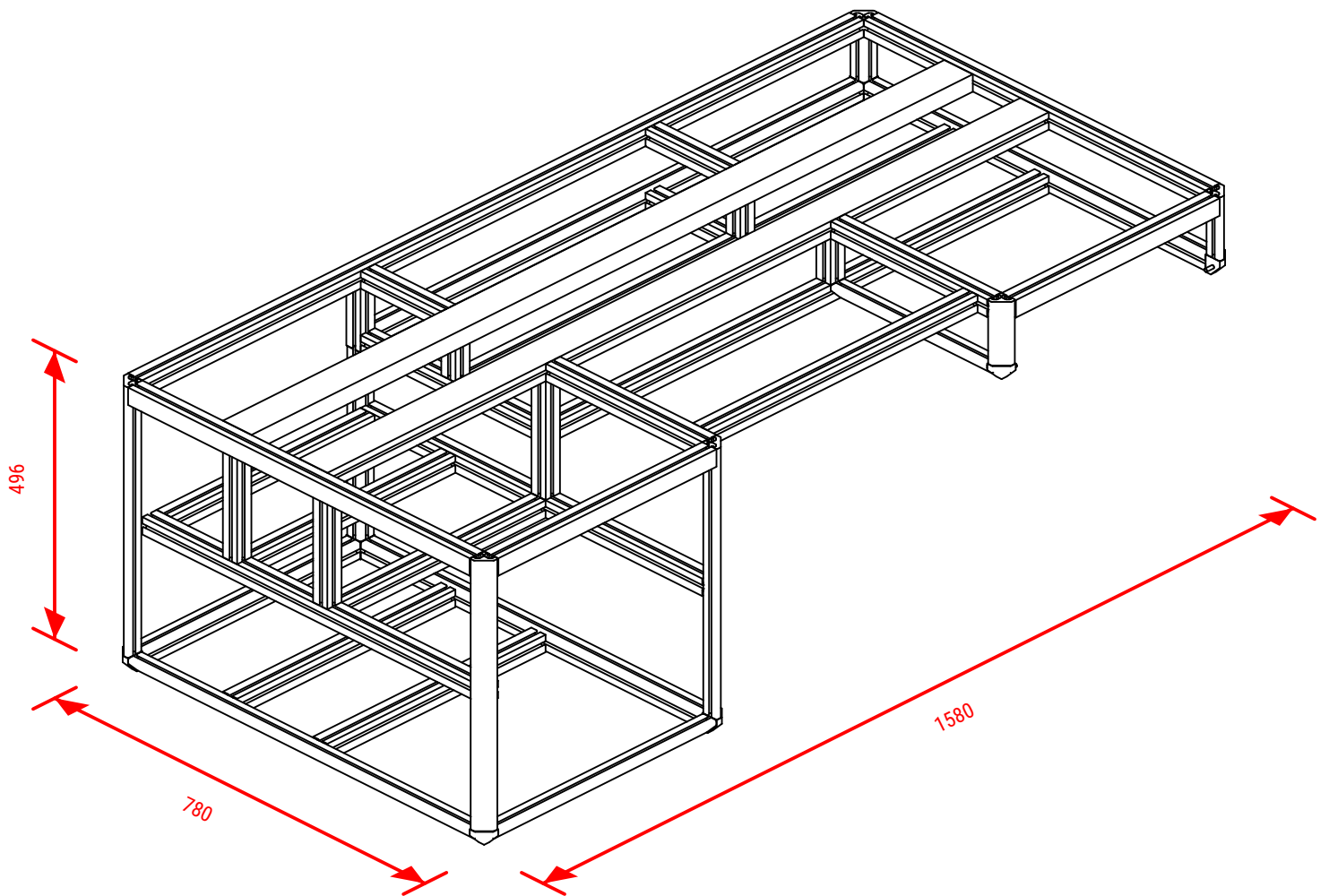
Parts list

Position	Article designation	Article No.	Quantity
1v	Profile 6 30x30 1N light, natural, Length: 430mm	0.0.439.43	1
2v	Profile 6 30x30 1N light, natural, Length: 460mm	0.0.439.43	3
3v	Profile 6 30x30 1N light, natural, Length: 720mm	0.0.439.43	3
4v	Profile 6 30x30 light, natural, Length: 80mm	0.0.419.06	1
5v	Profile 6 30x30 light, natural, Length: 80mm	0.0.419.06	2
6	Profile 6 30x30 light, natural, Length: 110mm	0.0.419.06	1
7v	Profile 6 30x30 light, natural, Length: 170mm	0.0.419.06	3
8v	Profile 6 30x30 light, natural, Length: 205mm	0.0.419.06	3
9v	Profile 6 30x30 light, natural, Length: 330mm	0.0.419.06	2
10v	Profile 6 30x30 light, natural, Length: 360mm	0.0.419.06	1
11v	Profile 6 30x30 light, natural, Length: 430mm	0.0.419.06	3
12v	Profile 6 30x30 light, natural, Length: 570mm	0.0.419.06	1
13	Profile 6 30x30 light, natural, Length: 720mm	0.0.419.06	1
14v	Profile 6 30x30 light, natural, Length: 1030mm	0.0.419.06	1
15v	Profile 6 30x30 light, natural, Length: 1030mm	0.0.419.06	1
16	Profile 6 30x30 light, natural, Length: 1520mm	0.0.419.06	1
17v	Profile 6 30x30-45° light, natural, Length: 110mm	0.0.434.72	3
18v	Profile 6 30x30-45° light, natural, Length: 326mm	0.0.434.72	1
19v	Profile 6 30x30-45° light, natural, Length: 330mm	0.0.434.72	1
20v	Profile 6 30x30-45° light, natural, Length: 460mm	0.0.434.72	2
21v	Profile 6 30x30-45° light, natural, Length: 466mm	0.0.434.72	3
22v	Profile 6 30x30-45° light, natural, Length: 720mm	0.0.434.72	3
23v	Profile 6 30x30-45° light, natural, Length: 1030mm	0.0.434.72	1
24v	Profile 6 60x30 3N90 light, natural, Length: 1520mm	0.0.439.48	2
25	Fastening Set 6 30x30-45°, black	0.0.434.86	7
26	Universal-Fastening Set 6, bright zinc-plated	0.0.419.52	106

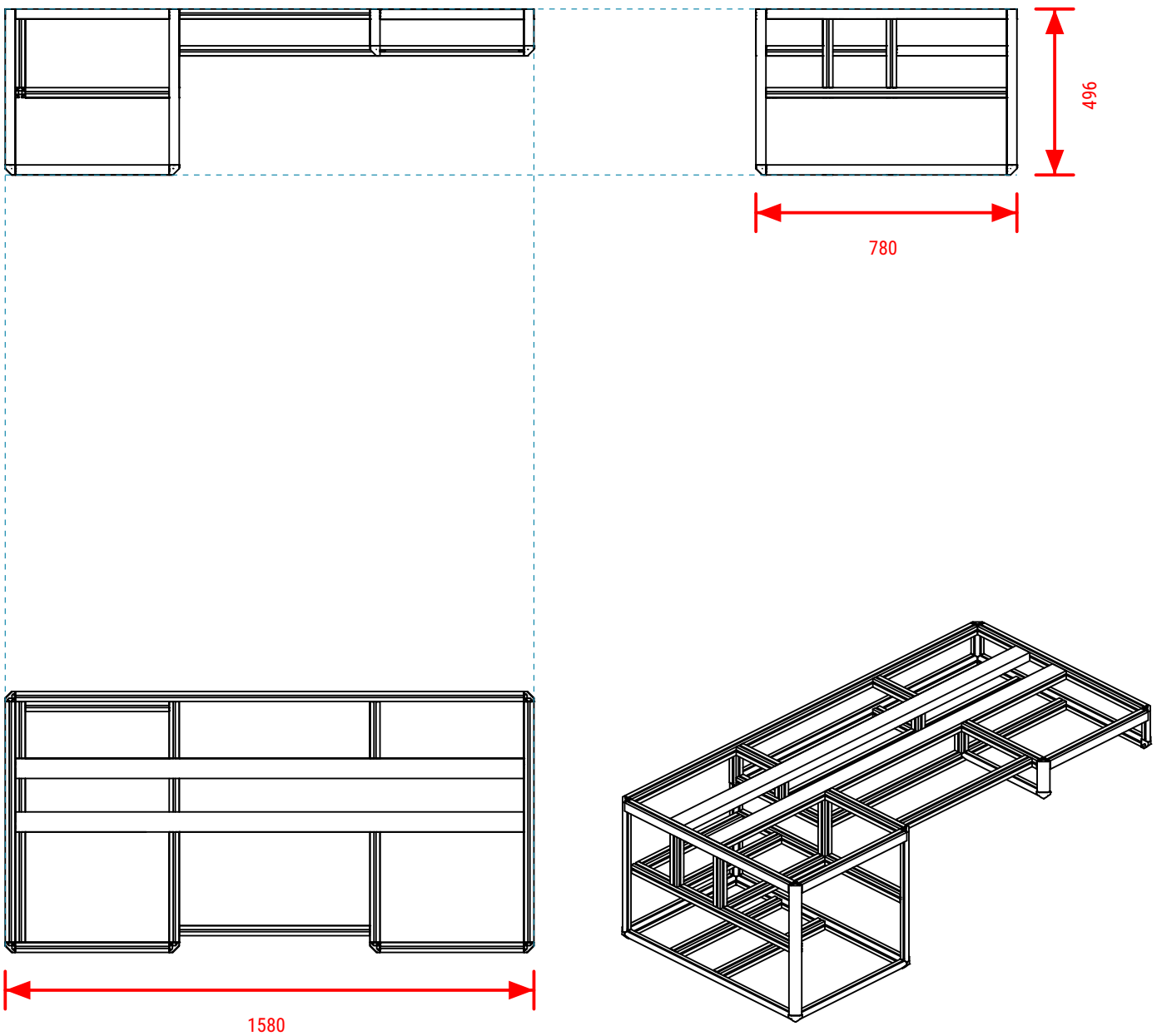
Fastener Technology (All together)



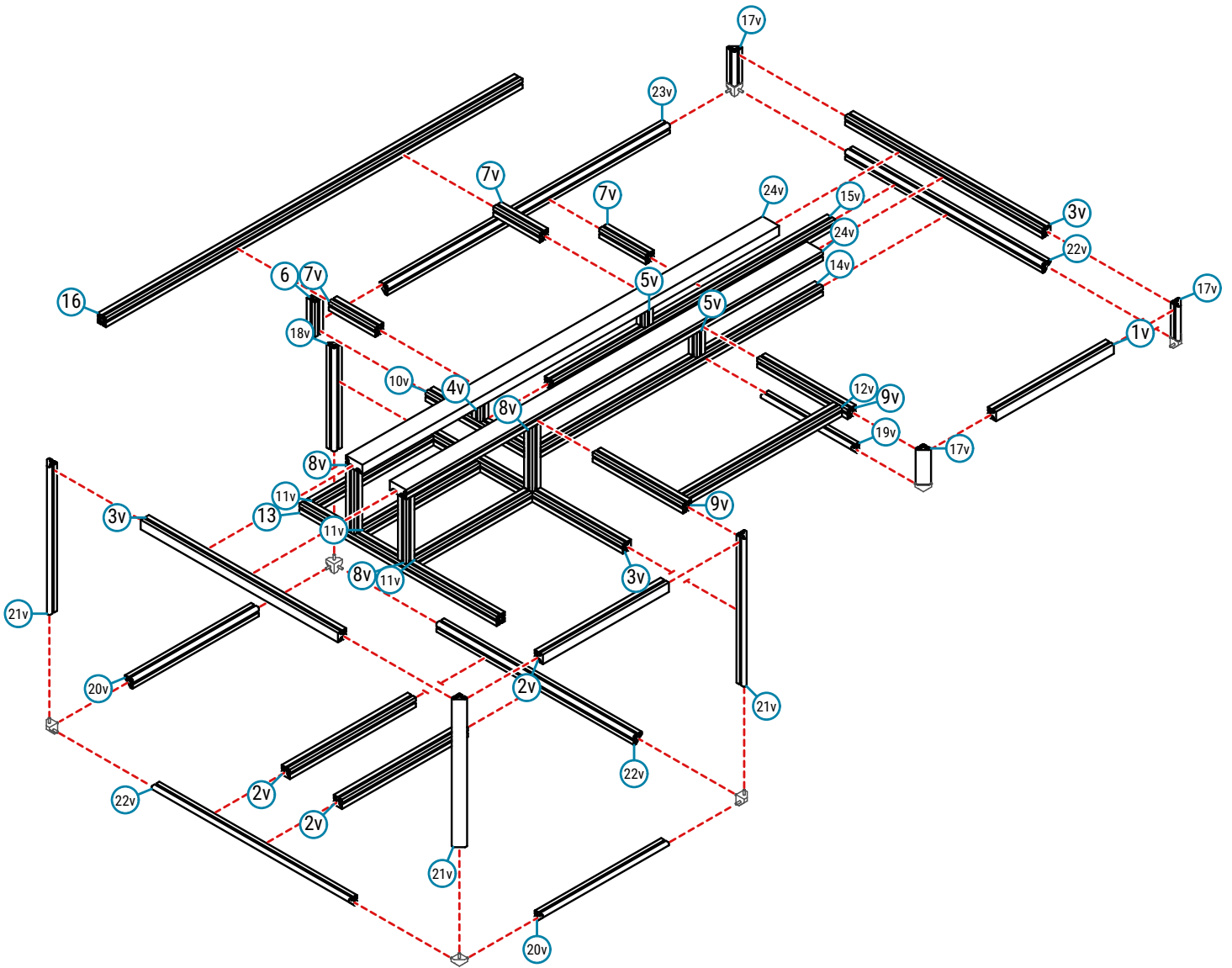
Isometric view



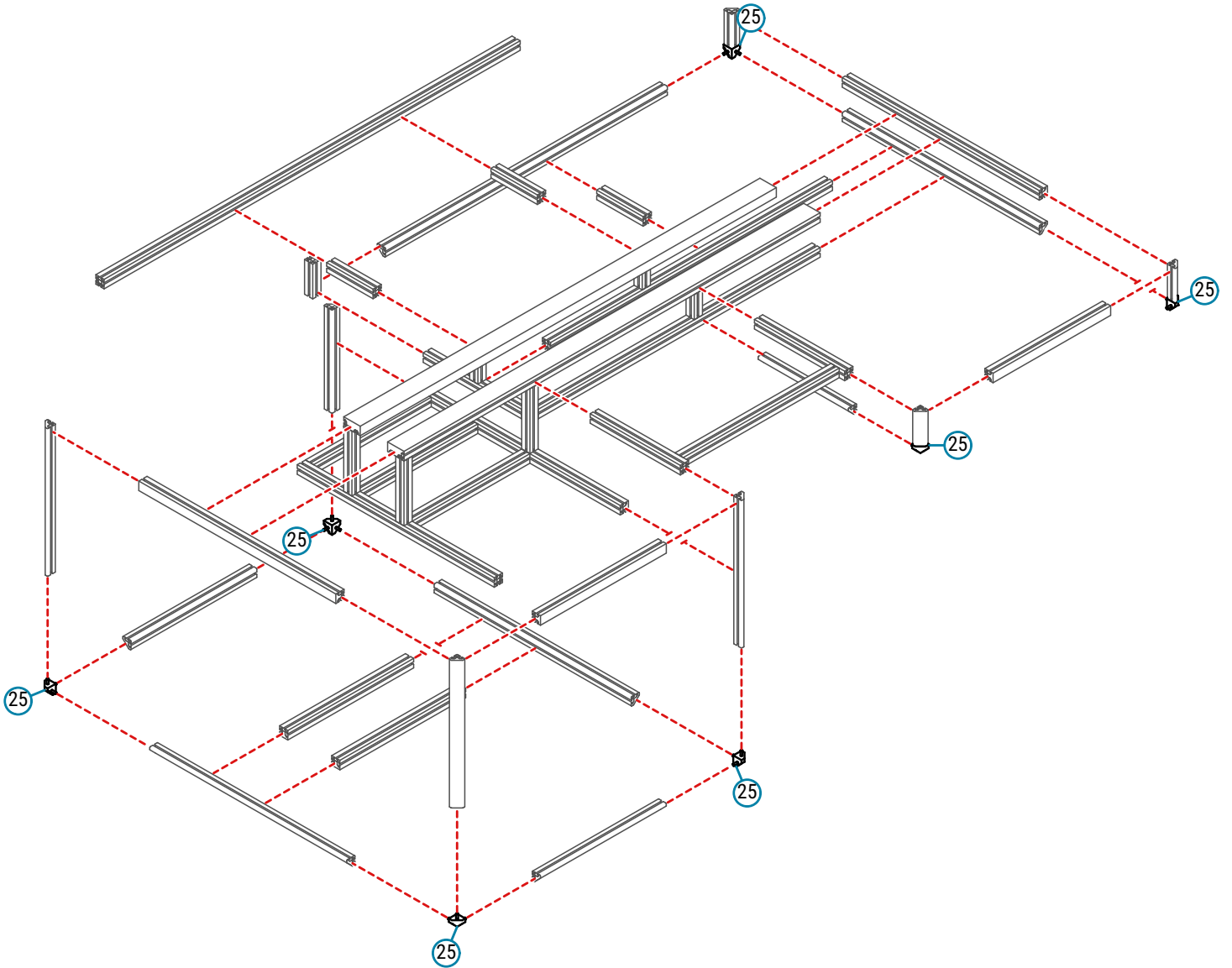
Multiview projection



Exploded view (Profiles)



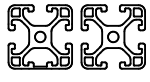
Exploded view (Fastener Technology and accessories)



Installation guide

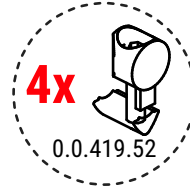
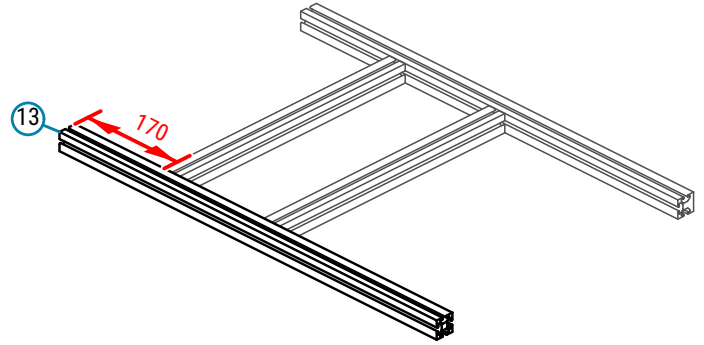
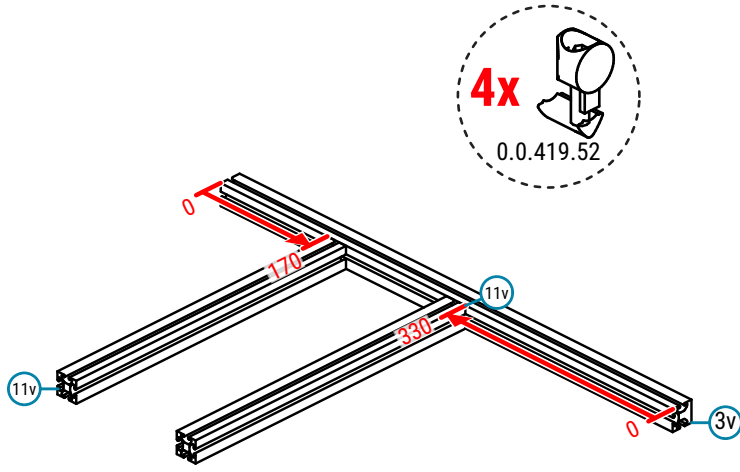
Step 1/ 36

Start with part 3v and 11v



Step 2/ 36

Install 1 x part 13



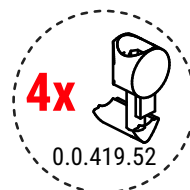
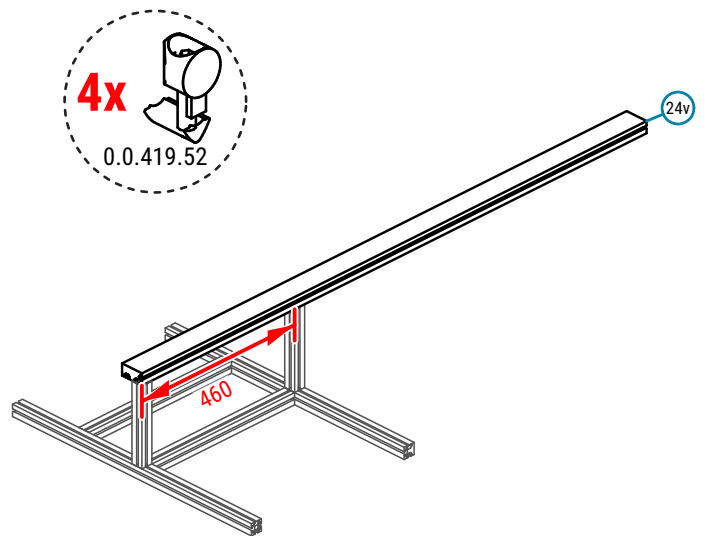
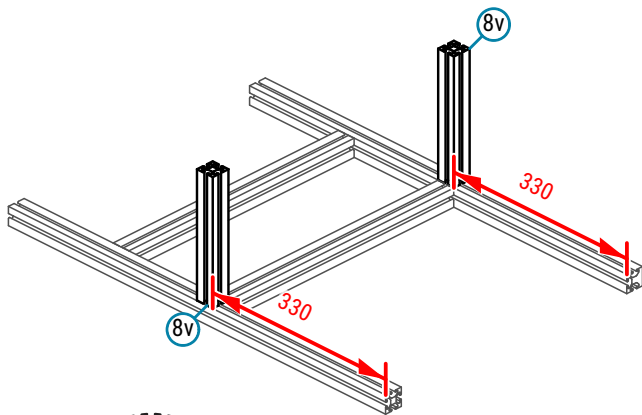
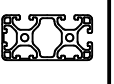
Step 3/ 36

Install 2 x part 8v



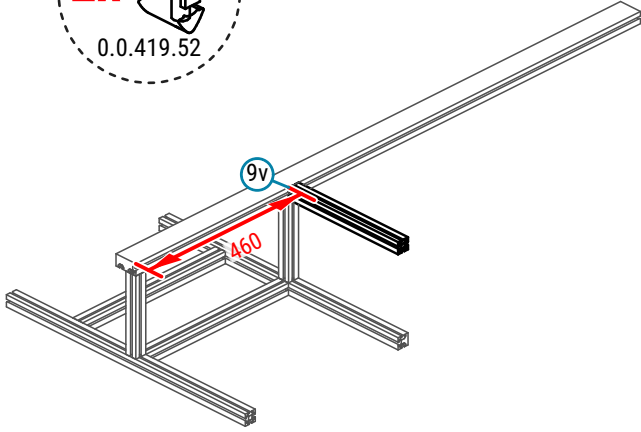
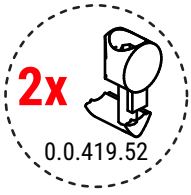
Step 4/ 36

Install 1 x part 24v



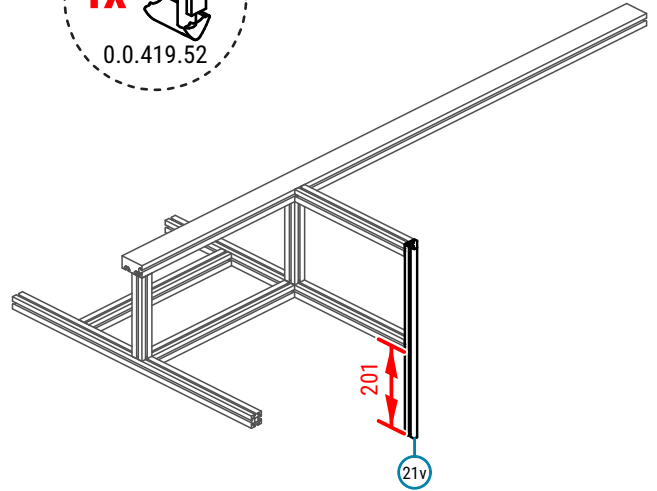
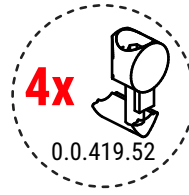
Step 5/ 36

Install 1 x part 9v



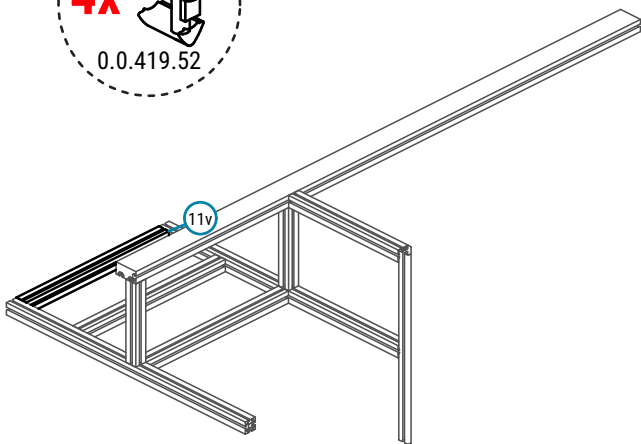
Step 6/ 36

Install 1 x part 21v



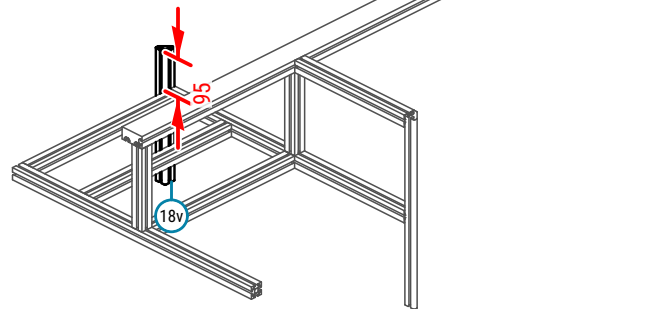
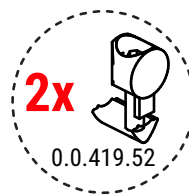
Step 7/ 36

Install 1 x part 11v



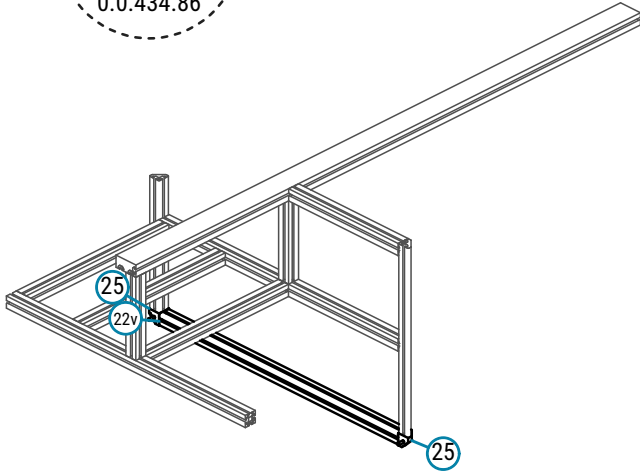
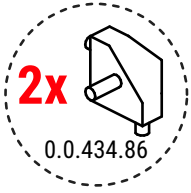
Step 8/ 36

Install 1 x part 18v



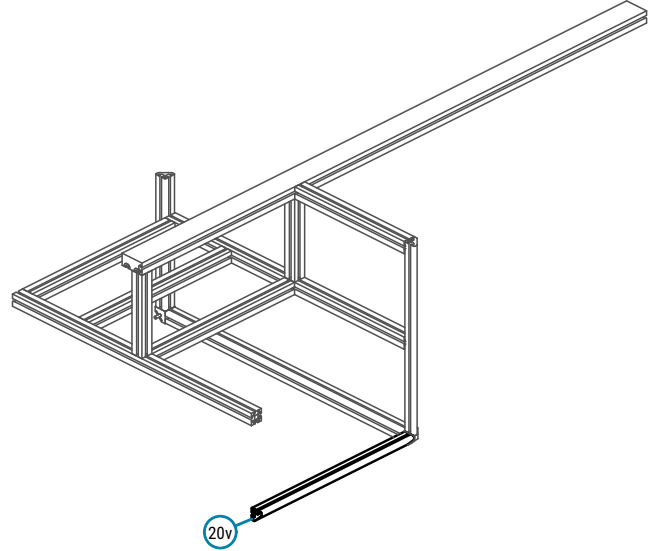
Step 9/ 36

Install 1 x part 22v



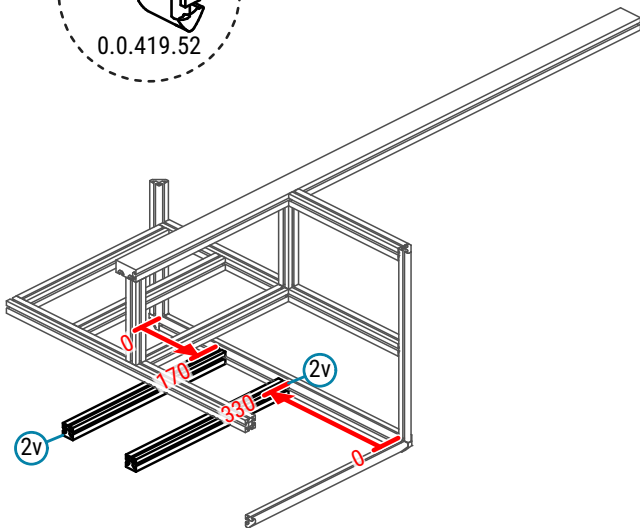
Step 10/ 36

Install 1 x part 20v



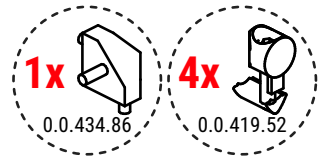
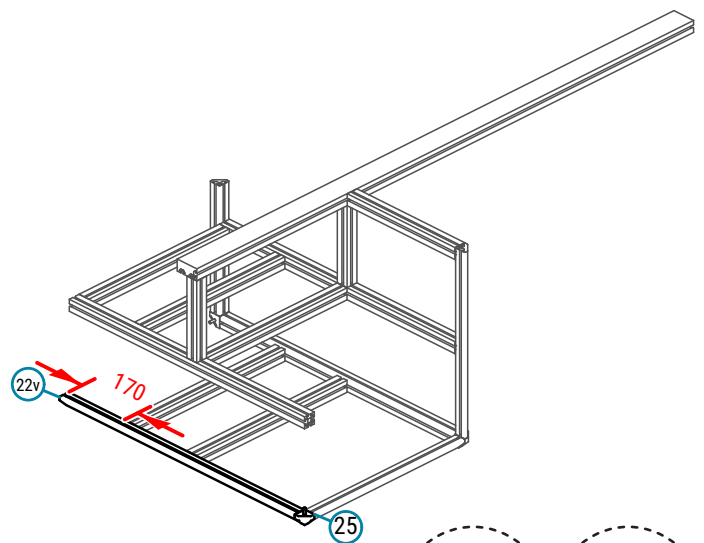
Step 11/ 36

Install 2 x part 2v



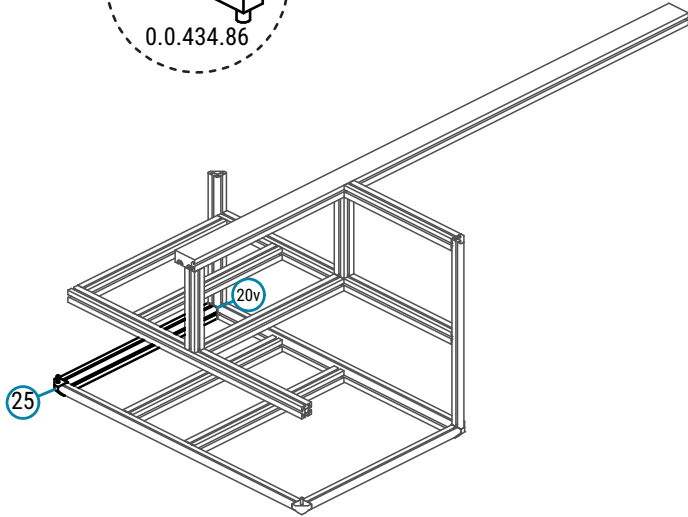
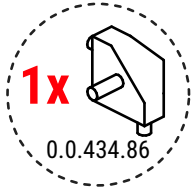
Step 12/ 36

Install 1 x part 22v



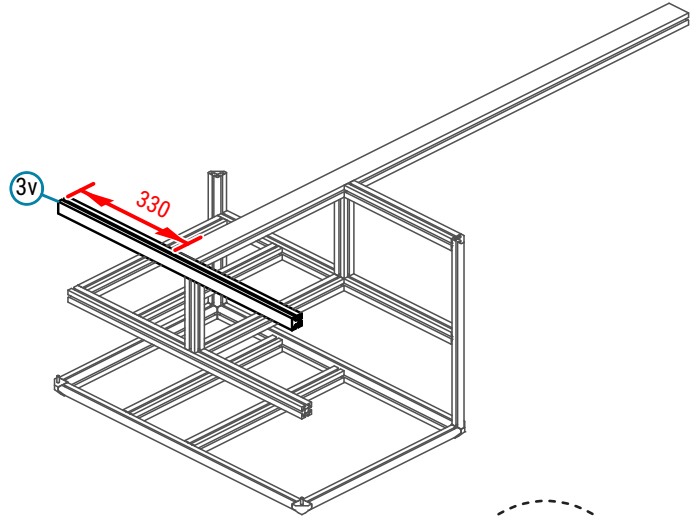
Step 13/ 36

Install 1 x part 20v



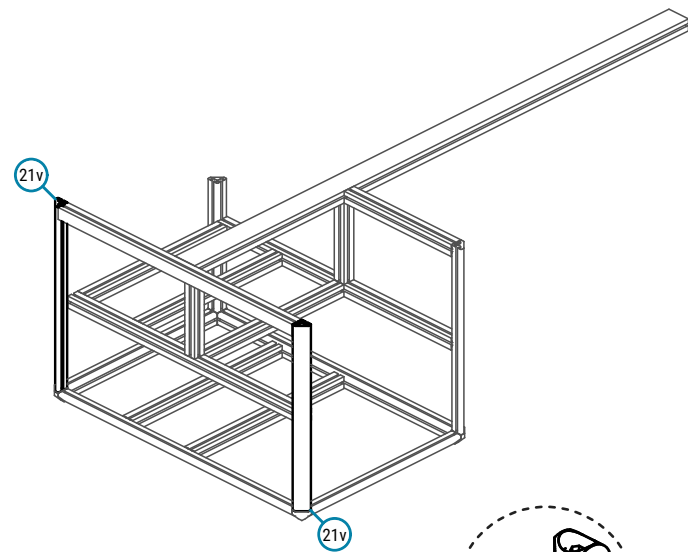
Step 14/ 36

Install 1 x part 3v



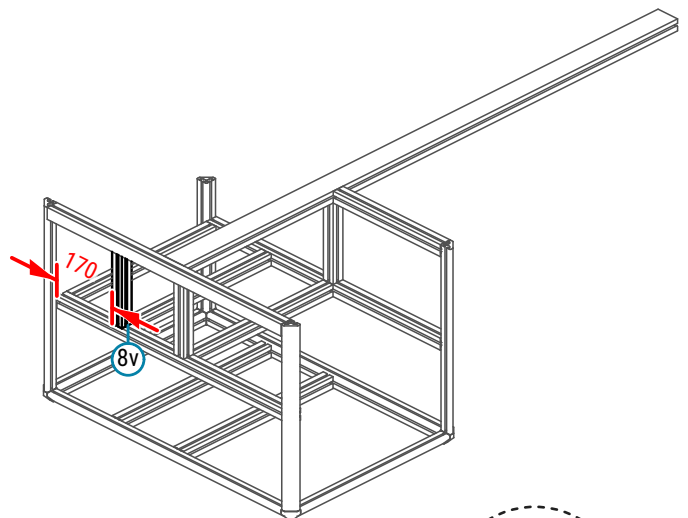
Step 15/ 36

Install 2 x part 21v



Step 16/ 36

Install 1 x part 8v



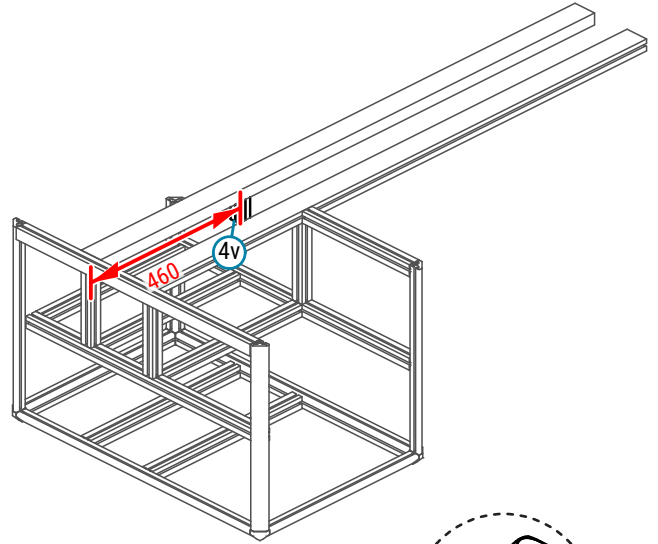
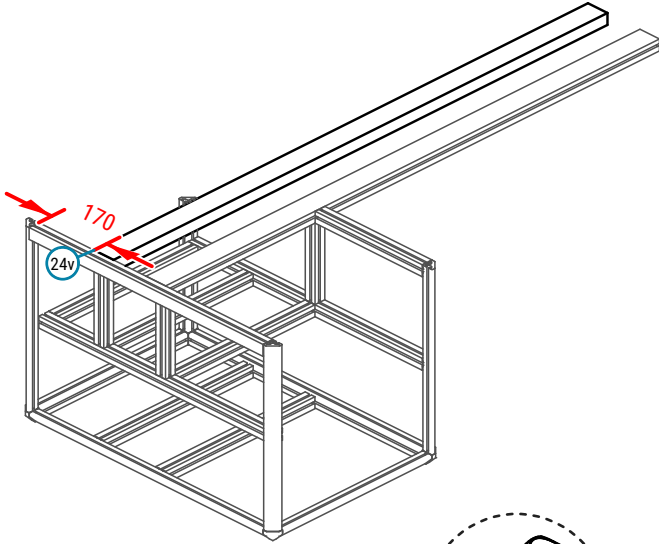
Step 17/ 36

Install 1 x part 24v



Step 18/ 36

Install 1 x part 4v



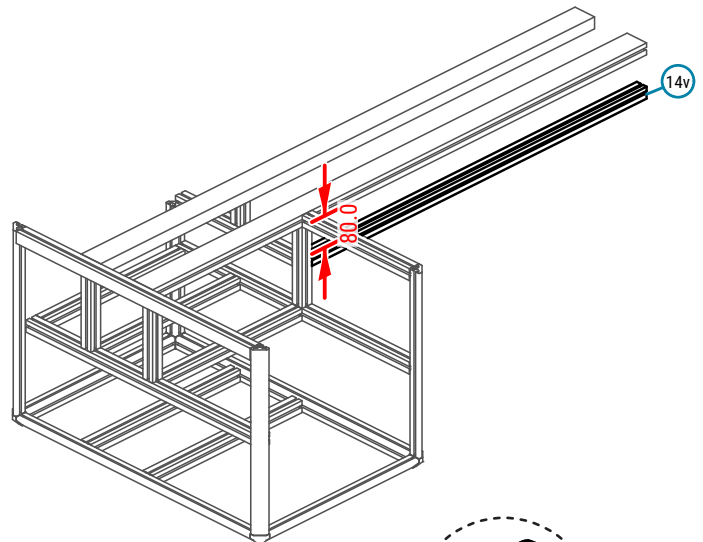
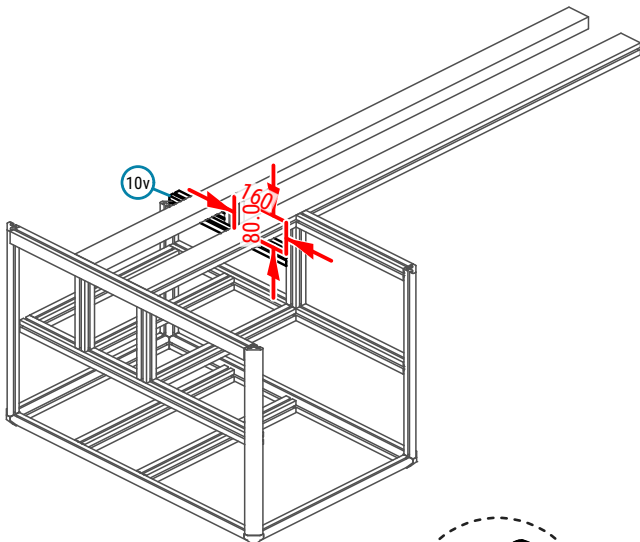
Step 19/ 36

Install 1 x part 10v



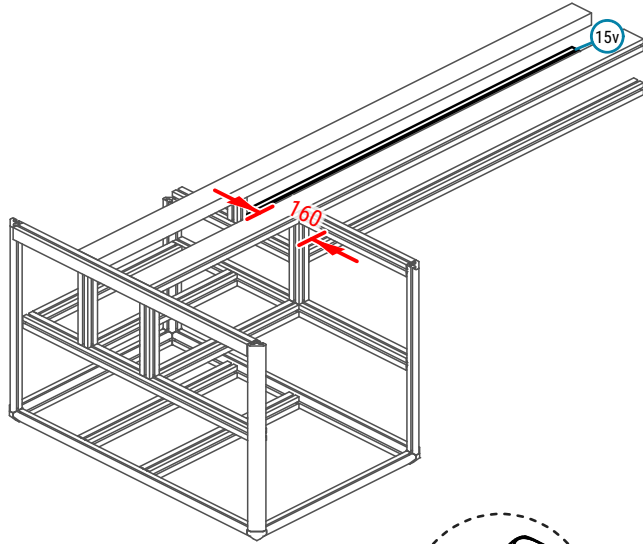
Step 20/ 36

Install 1 x part 14v



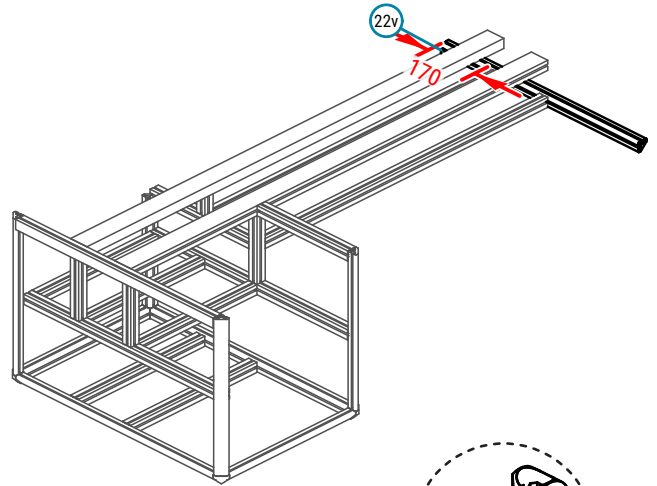
Step 21/ 36

Install 1 x part 15v



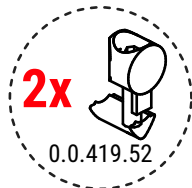
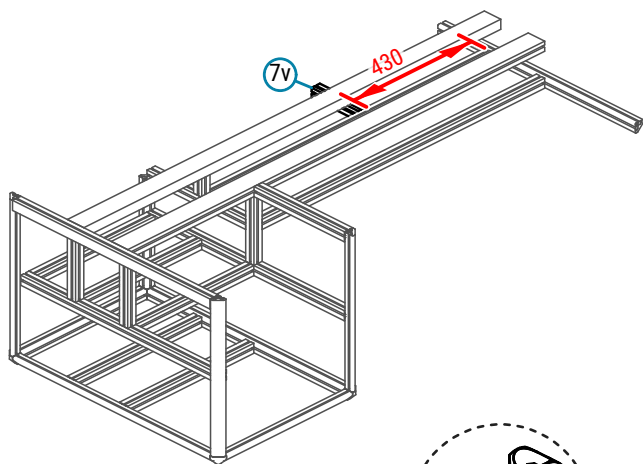
Step 22/ 36

Install 1 x part 22v



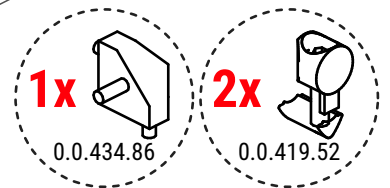
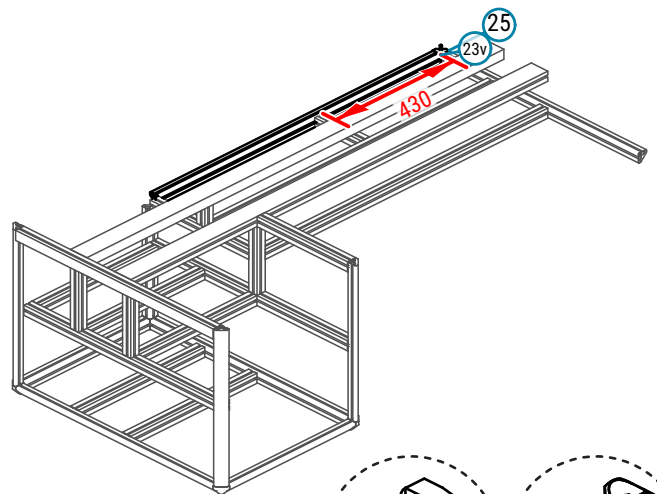
Step 23/ 36

Install 1 x part 7v



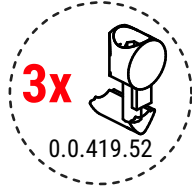
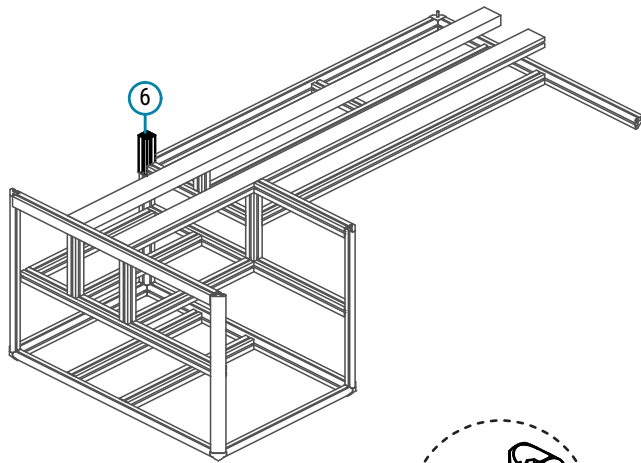
Step 24/ 36

Install 1 x part 23v



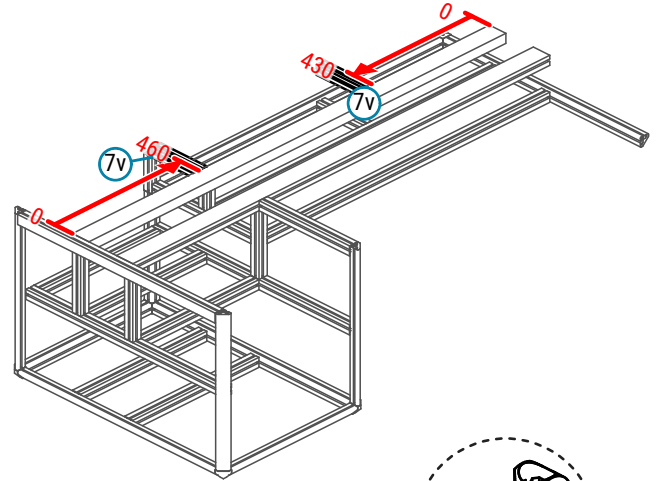
Step 25/ 36

Install 1 x part 6



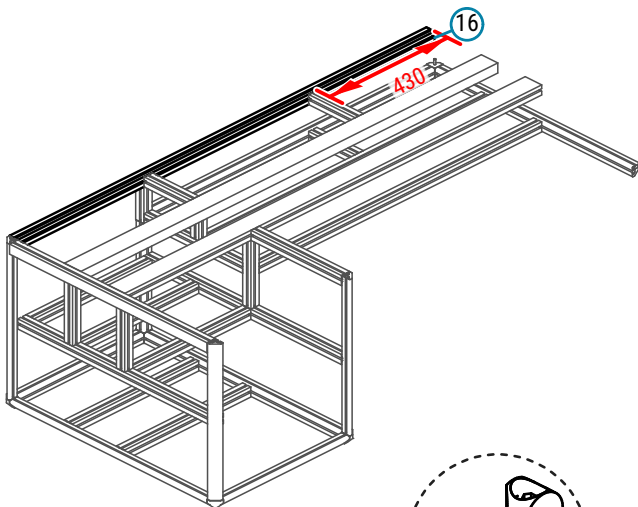
Step 26/ 36

Install 2 x part 7v



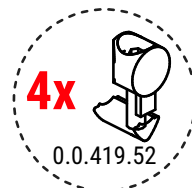
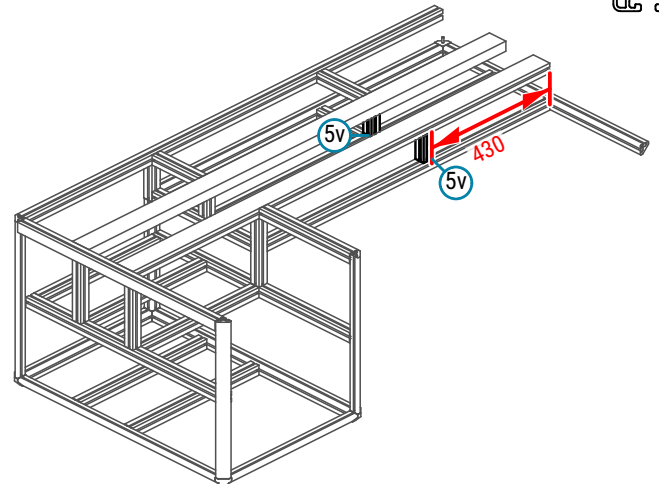
Step 27/ 36

Install 1 x part 16



Step 28/ 36

Install 2 x part 5v



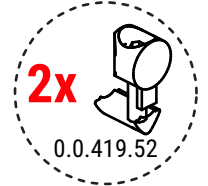
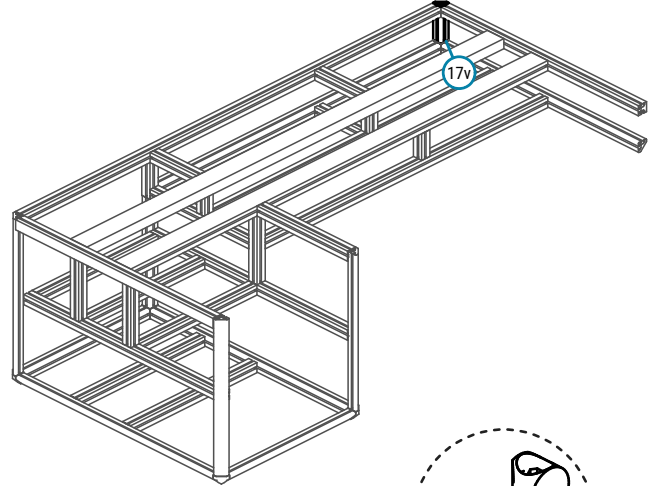
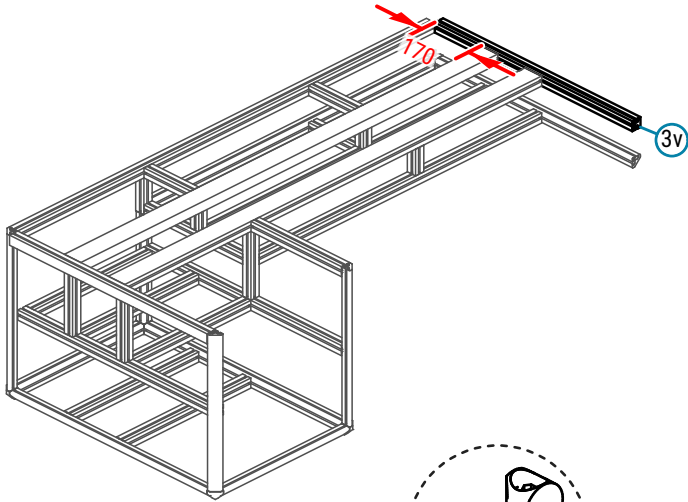
Step 29/ 36

Install 1 x part 3v



Step 30/ 36

Install 1 x part 17v



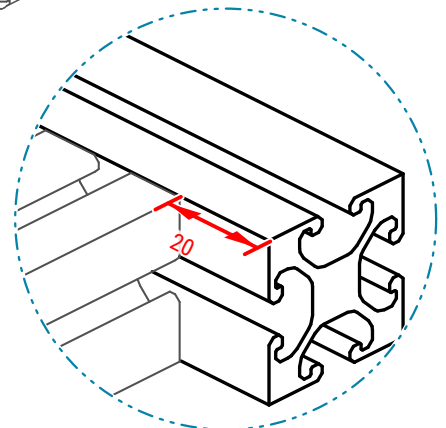
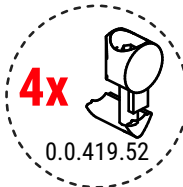
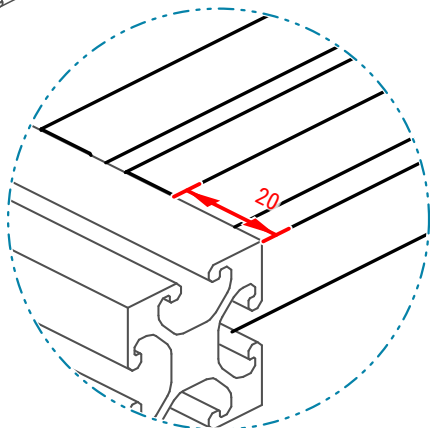
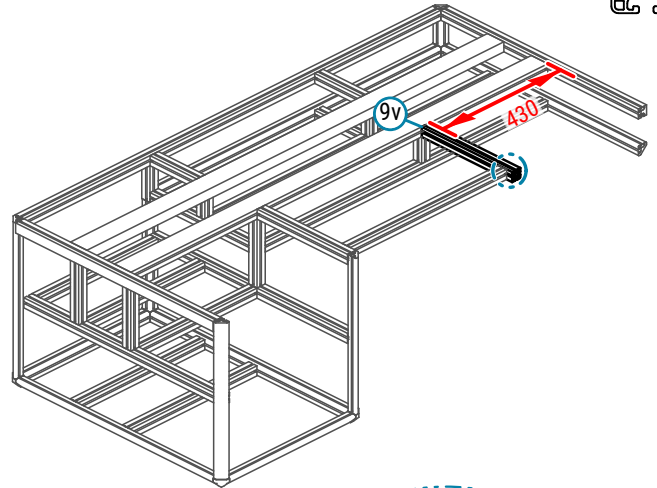
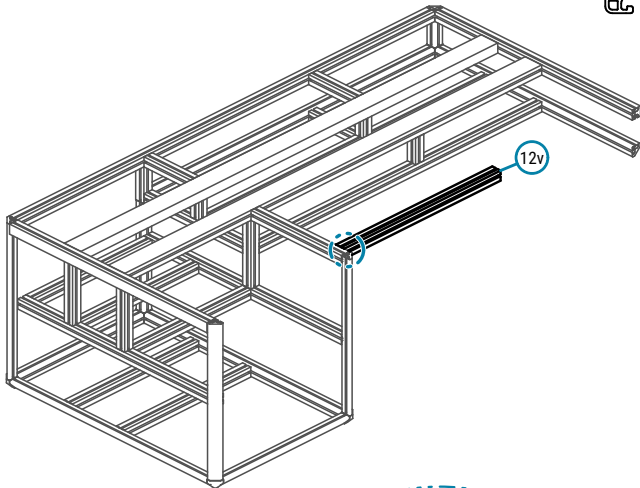
Step 31/ 36

Install 1 x part 12v



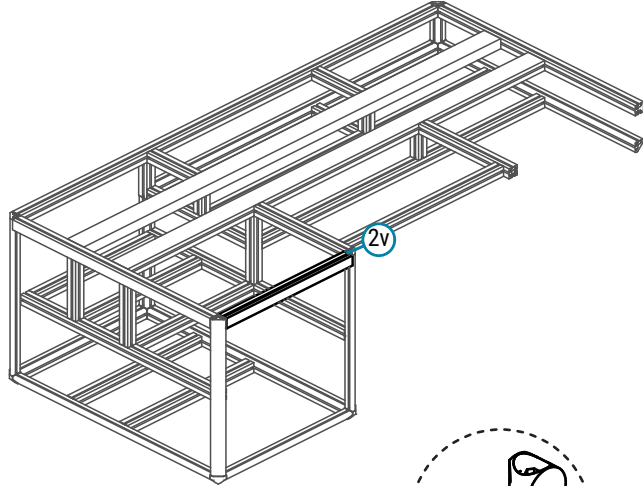
Step 32/ 36

Install 1 x part 9v



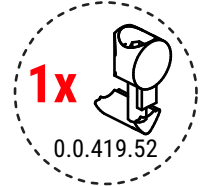
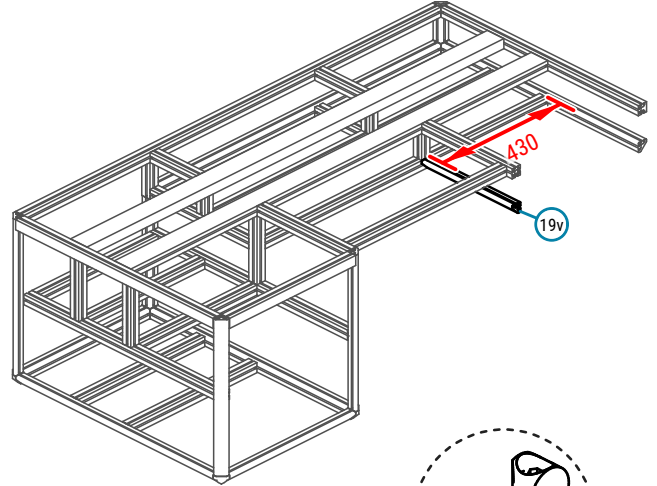
Step 33/ 36

Install 1 x part 2v



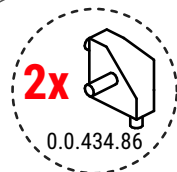
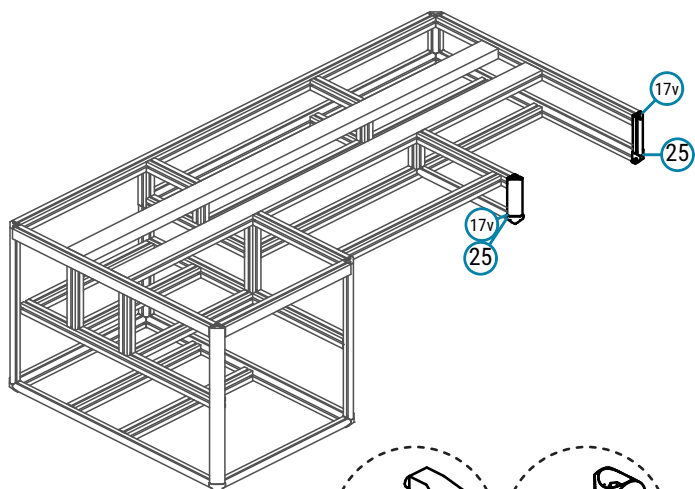
Step 34/ 36

Install 1 x part 19v



Step 35/ 36

Install 2 x part 17v



Step 36/ 36

Install 1 x part 1v

